



**Barton Springs
Edwards Aquifer**
CONSERVATION DISTRICT

May 30, 2019

Sent via certified mail and email

Electro Purification LLC
4605 Post Oak Place Dr.
Houston, TX 77027

RE: Administrative Completeness Review of seven Well Plugging Applications submitted by Electro Purification LLC, for authorization to permanently recomplete three test wells as exempt domestic wells and temporarily plug four test wells.

Dear Mr. Tim Throckmorton:

On May 10, 2019, Electro Purification submitted seven well plugging applications to bring the seven existing test wells into compliance with state and Barton Springs Edwards Aquifer Conservation District (District) well construction standards. The application request is for four of the wells to be temporarily plugged at this time, and in the future if a production permit is issued by the District, the wells will be permanently recompleted as public water supply wells. The other three wells will be permanently recompleted at this time and can serve as exempt and/or monitor wells.

- **Bridges 1** – To be temporarily plugged as an Upper Glen Rose well. May be recompleted in the future as public water supply if a production permit is issued by the District.
- **Bridges 2** – To be temporarily plugged as an Upper Glen Rose well. May be recompleted in the future as public water supply if a production permit is issued by the District.
- **Bridges 3** – To be permanently recompleted as an exempt Upper Glen Rose well.
- **Bridges 4** – To be permanently recompleted as an exempt Lower Glen Rose well.
- **Odell 1** – To be permanently recompleted as an exempt Lower Glen Rose well.
- **Odell 2** – To be temporarily plugged as a Lower Glen Rose well. May be recompleted in the future as public water supply if a production permit is issued by the District.
- **Odell 3** – To be temporarily plugged as an Lower Glen Rose well. May be recompleted in the future as public water supply if a production permit is issued by the District.

The above referenced applications have been reviewed and have been determined to sufficiently address the information requirements in accordance with District Rule 3-1.4(A). **Therefore, the application is determined to be administratively complete as of 5/29/2019.**

The applicant has (60) days from the date of this letter to commence well completion work on the seven wells. If you have any further questions or need clarification regarding the requested information, please feel free to contact my office by phone at 512-282-8441.

Sincerely,



Alicia Reinmund - Martinez
General Manager

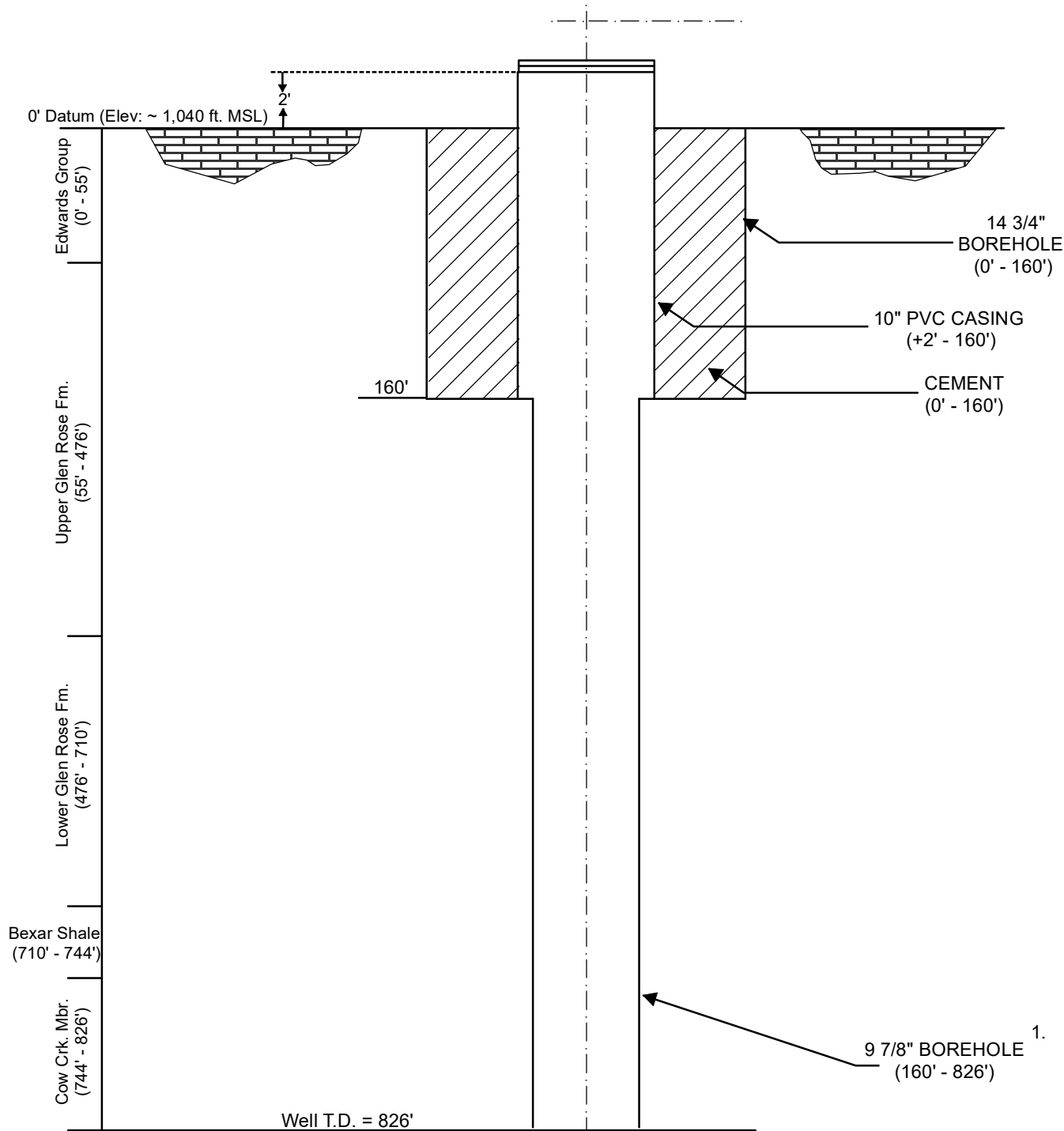
cc:

Kaveh Khorzad
Wet Rock Groundwater Services, LLC
317 Ranch Rd 620 South, Suite 203
Austin, TX 78734

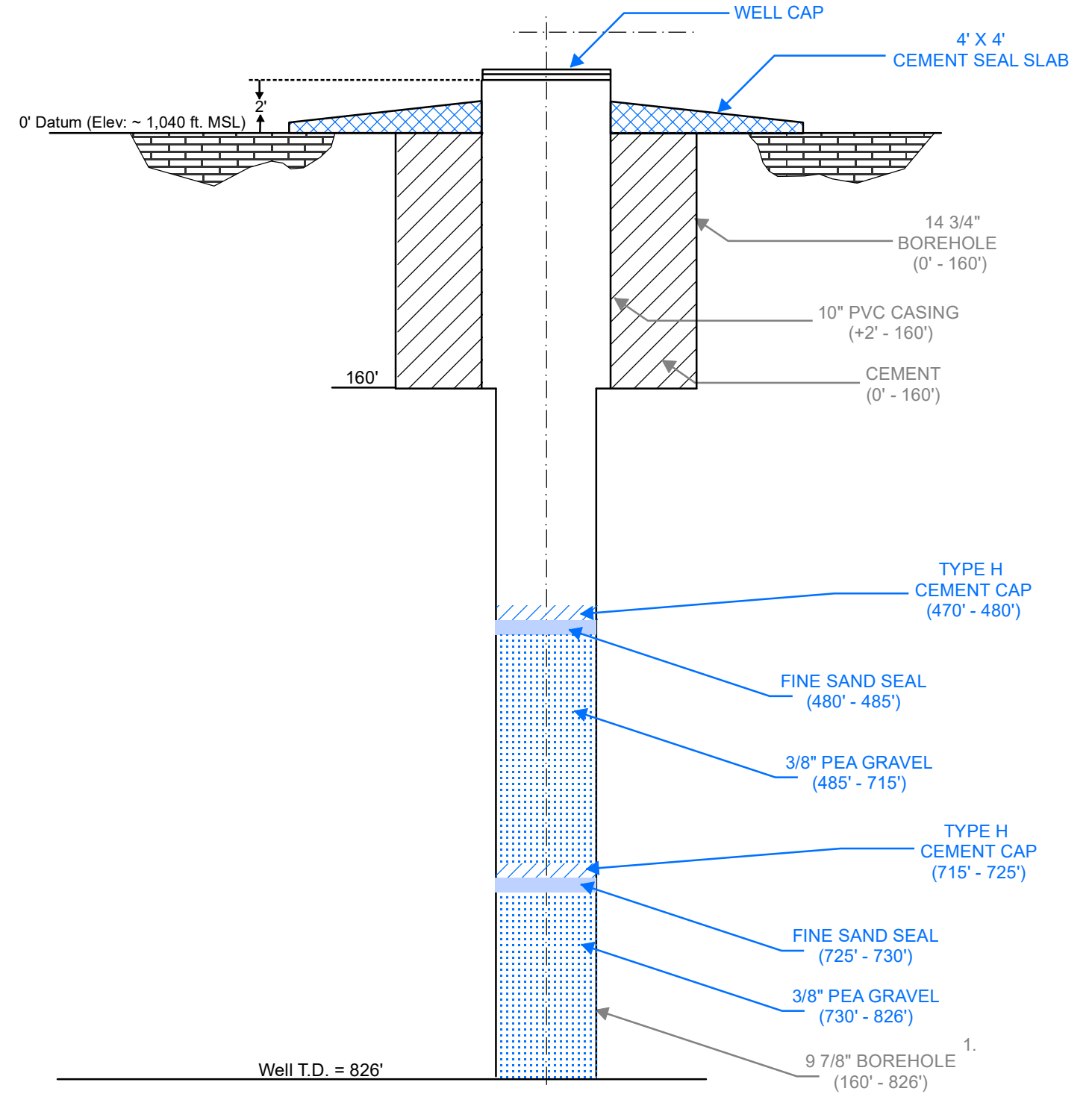
Ed McCarthy
1122 Colorado St., Suite 2399
Austin, Texas 78701

Bill Dugat
Bickerstaff Heath Delgado Acosta LLP
3711 S. Mo-Pac, Suite 300
Austin, TX 78746

Existing Well Profile



Proposed Improvements



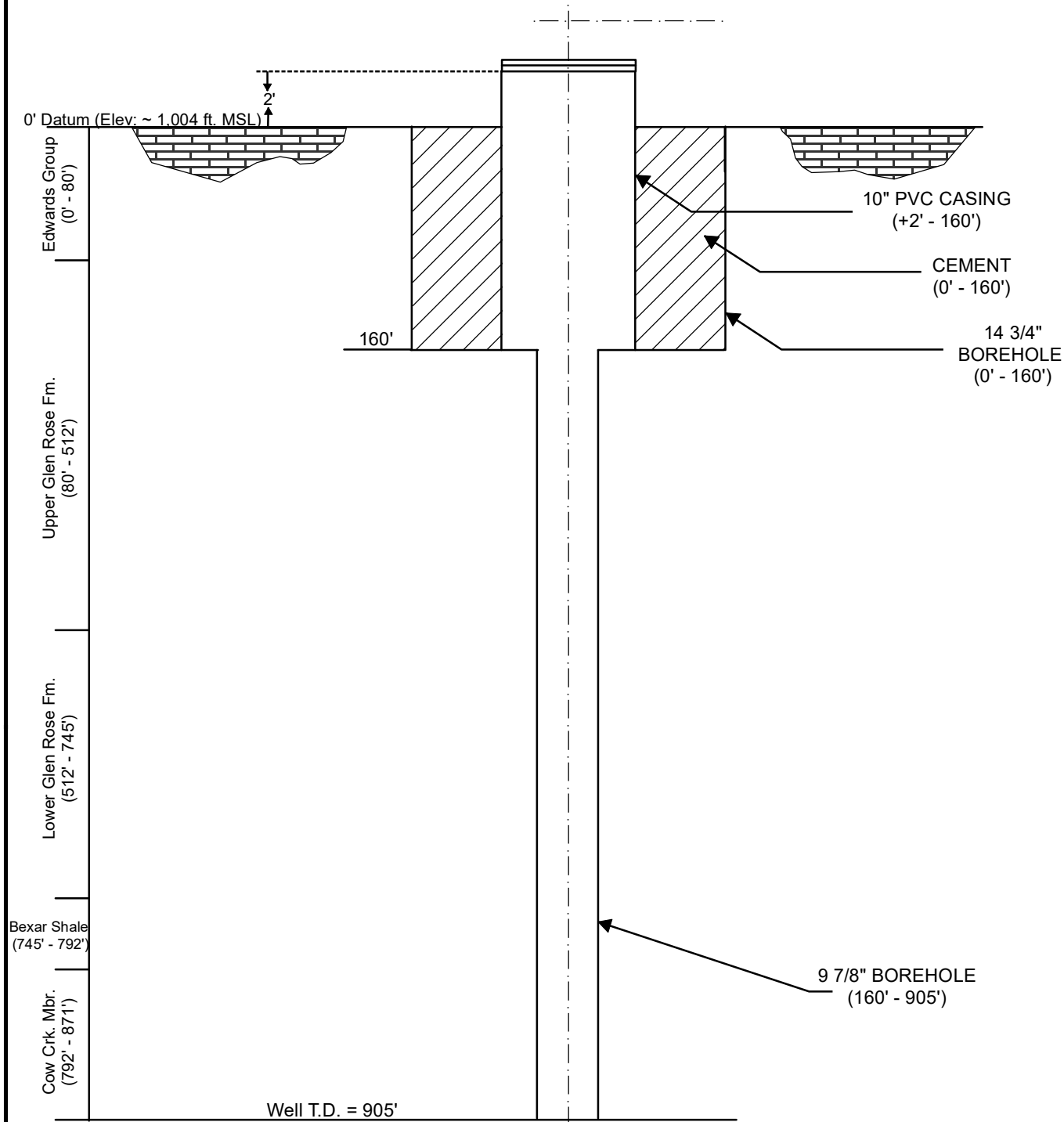
Notes:

1. Well profile based upon State Well Report (Tracking # 364899). The pilot hole was originally drilled to 930 ft. However the borehole sloughed off from the Hammet Clay downwards reducing the total depth.
2. The well shall be properly capped with a water tight covering capable of sustaining weight of at least 400 pounds and constructed in such a way that the covering cannot be easily removed by hand except when the well is in actual use.
3. Estimated volume of Type H cement to be used during plugging of 9 7/8-inch borehole is 11 cubic feet.

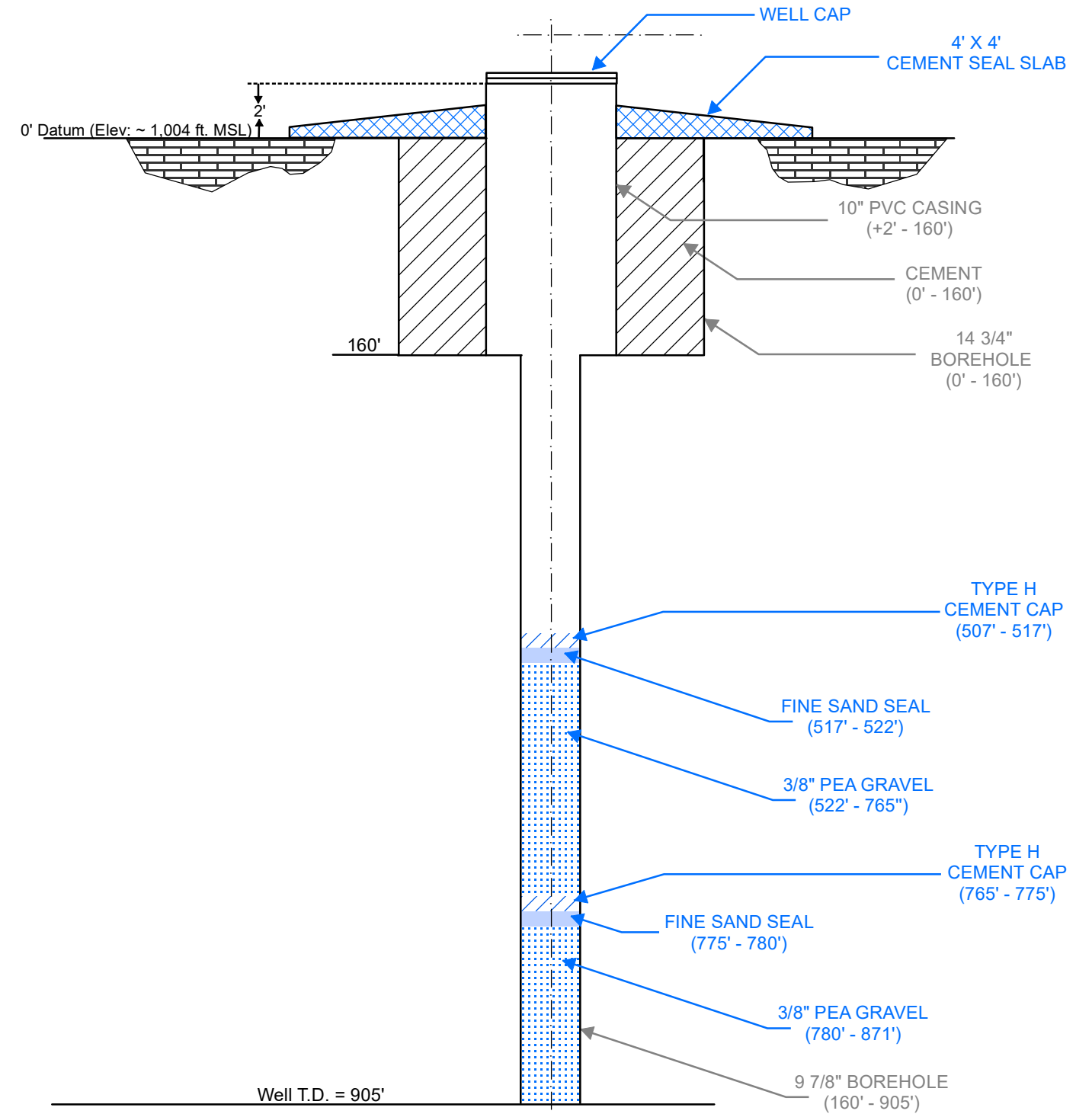
| |
|-------------------------------|
| SCALE: NONE |
| APPROVED BY: KK DATE: 5-14-19 |
| REVISED BY: DATE: |
| DRAWING NO: W-1 |
| SHEET: 1 OF 7 |

| | |
|--|---|
| Well Profile: Bridges Well No. 1 | |
| Electro Purification, LLC Hays County, Texas | |
| | Wet Rock Groundwater Services, LLC Groundwater Specialists TBPB Firm No: 50038 317 Ranch Road 620 South, Suite 203 Austin, Texas 78734 Ph: 512.773.3226 www.wetrockgs.com |

Existing Well Profile



Proposed Improvements



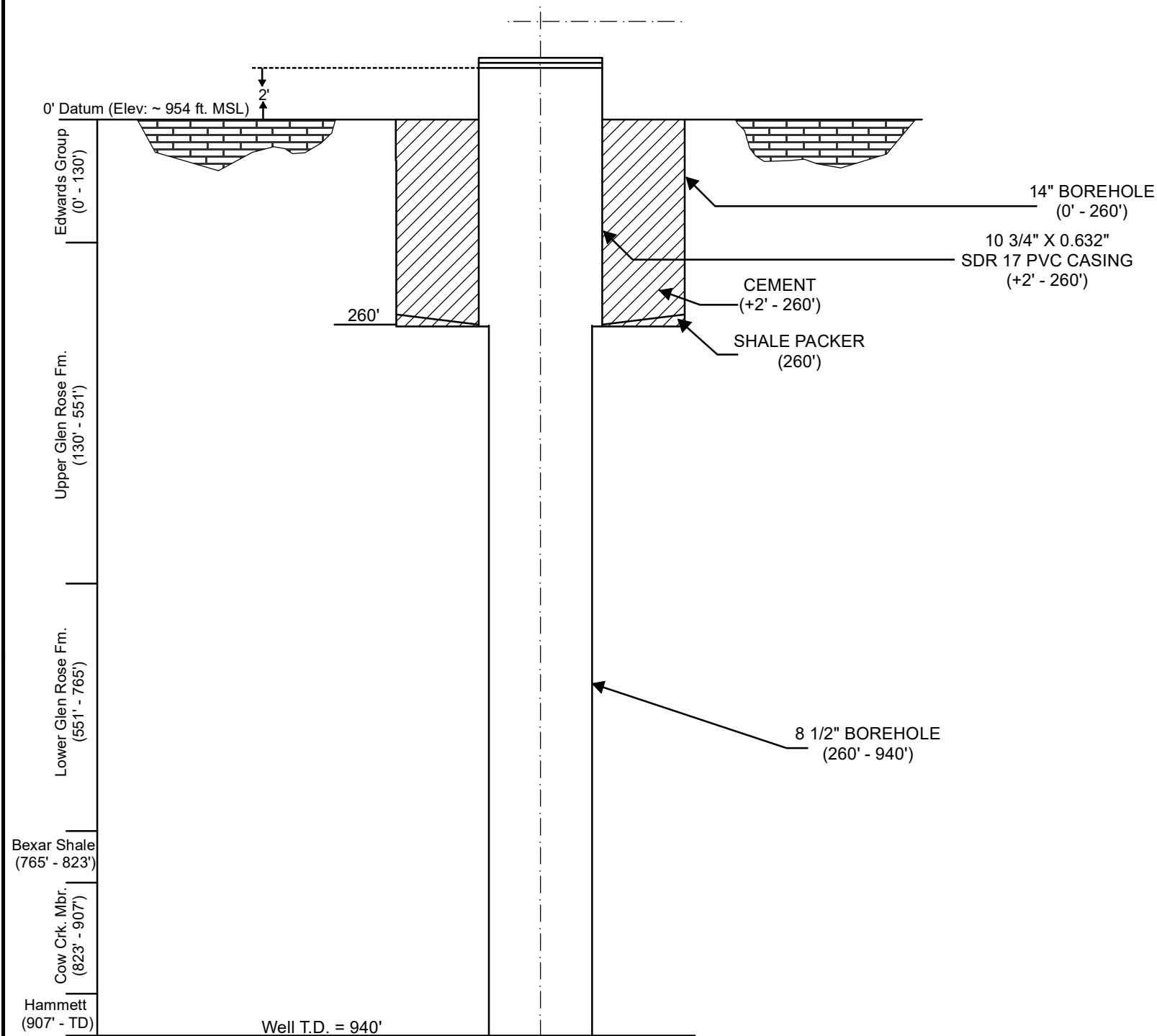
Notes:

1. Well profile based upon State Well Report (Tracking # 364900).
2. The well shall be properly capped with a water tight covering capable of sustaining weight of at least 400 pounds and constructed in such a way that the covering cannot be easily removed by hand except when the well is in actual use.
3. Estimated volume of Type H cement to be used during plugging of 9 7/8-inch borehole is 11 cubic feet.

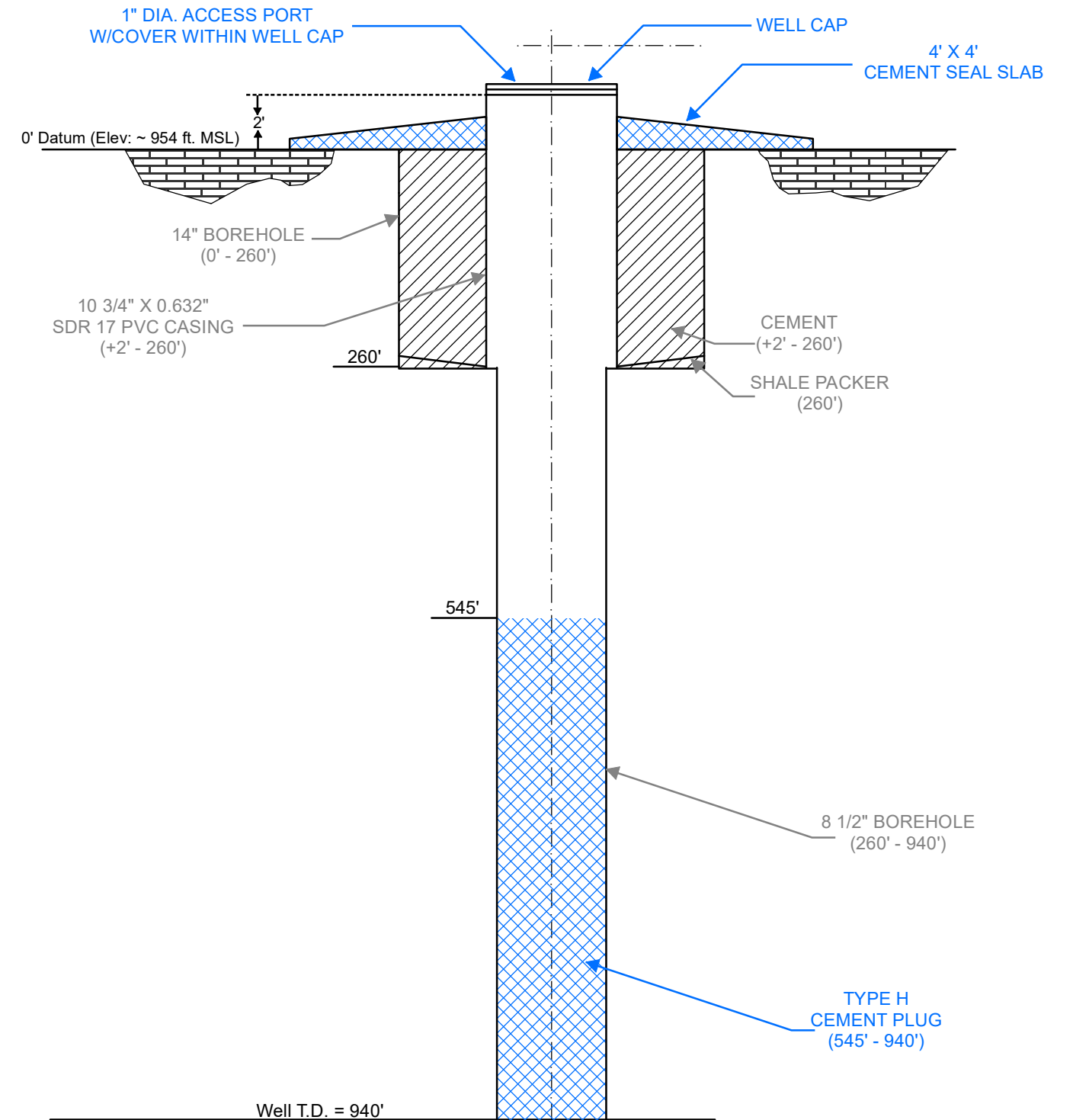
| |
|-------------------------------|
| SCALE: NONE |
| APPROVED BY: KK DATE: 5-14-19 |
| REVISED BY: DATE: |
| DRAWING NO: W-2 |
| SHEET: 2 OF 7 |

| | |
|---|--|
| Well Profile: Bridges Well No. 2 | |
| Electro Purification, LLC Hays County, Texas | |
|  | Wet Rock Groundwater Services, LLC |
| | Groundwater Specialists TBPG Firm No: 50038 |
| | 317 Ranch Road 620 South, Suite 203 Austin, Texas 78734 |
| | Ph: 512.773.3226 www.wetrockgs.com |

Existing Well Profile



Proposed Improvements



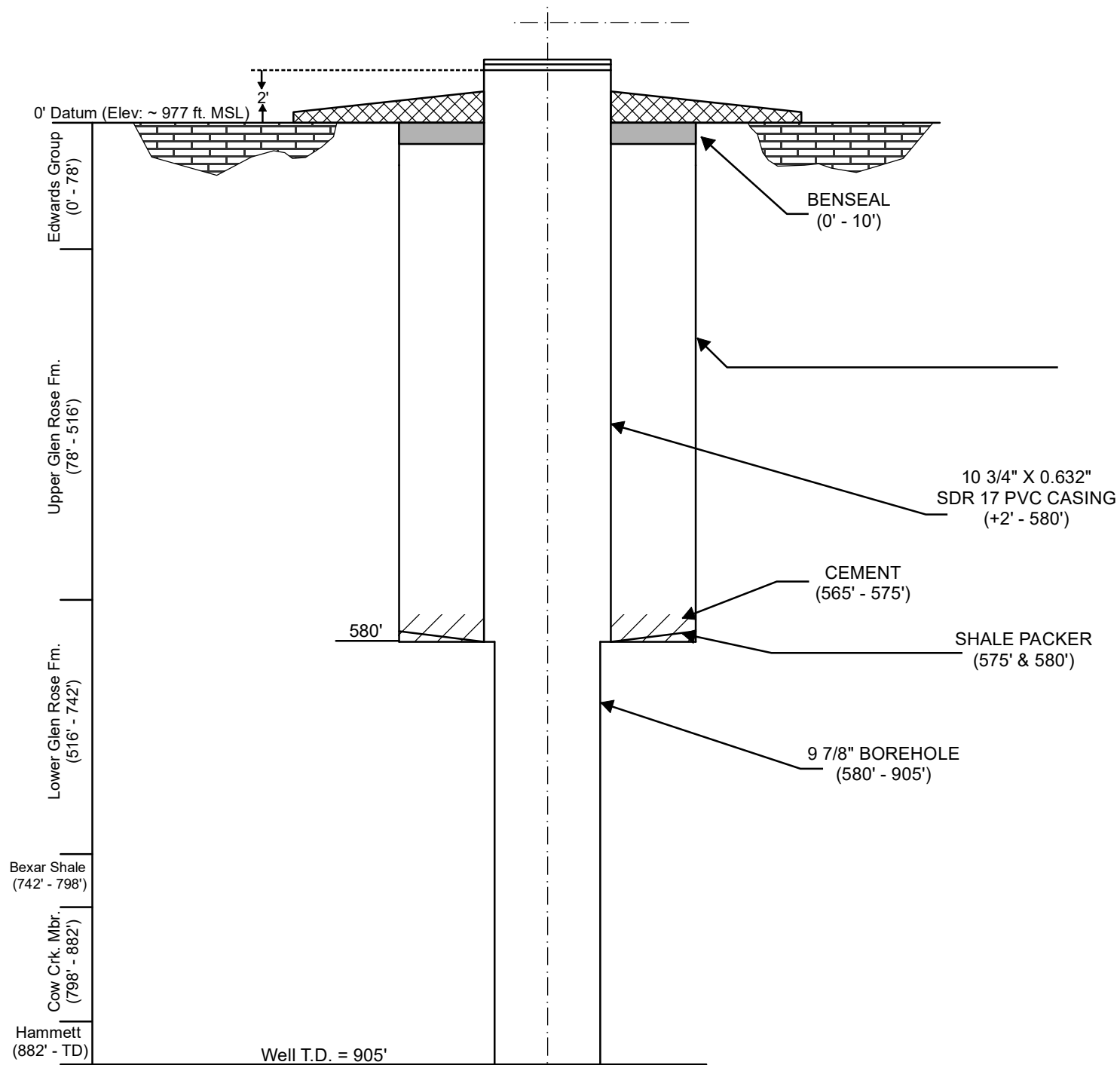
Notes:

1. Well profile based upon State Well Report (Tracking # 353110).
2. The well shall be properly capped with a water tight covering capable of sustaining weight of at least 400 pounds and constructed in such a way that the covering cannot be easily removed by hand except when the well is in actual use.
3. Estimated volume of Type H cement to be used during plugging of 8 1/2-inch borehole is 156 cubic feet.

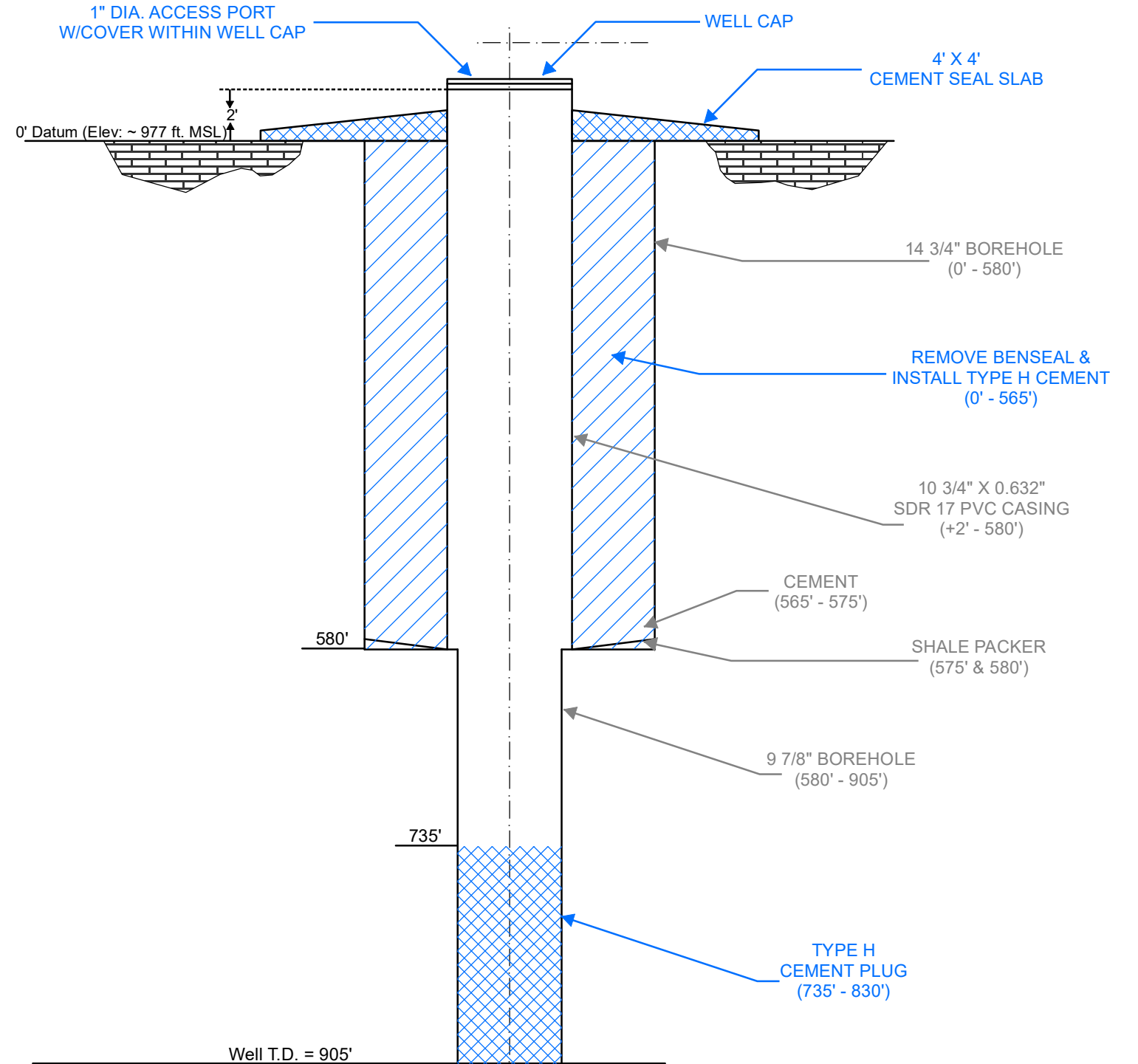
| |
|-------------------------------|
| SCALE: NONE |
| APPROVED BY: KK DATE: 5-14-19 |
| REVISED BY: DATE: |
| DRAWING NO: W-3 |
| SHEET: 3 OF 7 |

| | |
|---|--|
| Well Profile: Bridges Well No. 3 | |
| Electro Purification, LLC Hays County, Texas | |
|  | Wet Rock Groundwater Services, LLC |
| | Groundwater Specialists |
| | TBPG Firm No: 50038 |
| | 317 Ranch Road 620 South, Suite 203 Austin, Texas 78734 Ph: 512.773.3226 www.wetrockgs.com |

Existing Well Profile



Proposed Improvements



Notes:

1. Well profile based upon State Well Report (Tracking # 388365).
2. The well shall be properly capped with a water tight covering capable of sustaining weight of at least 400 pounds and constructed in such a way that the covering cannot be easily removed by hand except when the well is in actual use.
3. Estimated volume of Type H cement to be used for cementing casing in place is 315 cubic feet. Estimated volume of Type H cement to be used for plugging 9 7/8-inch borehole is 51 cubic feet.

| |
|-------------------------------|
| SCALE: NONE |
| APPROVED BY: KK DATE: 5-14-19 |
| REVISED BY: DATE: |
| DRAWING NO: W-4 |
| SHEET: 4 OF 7 |

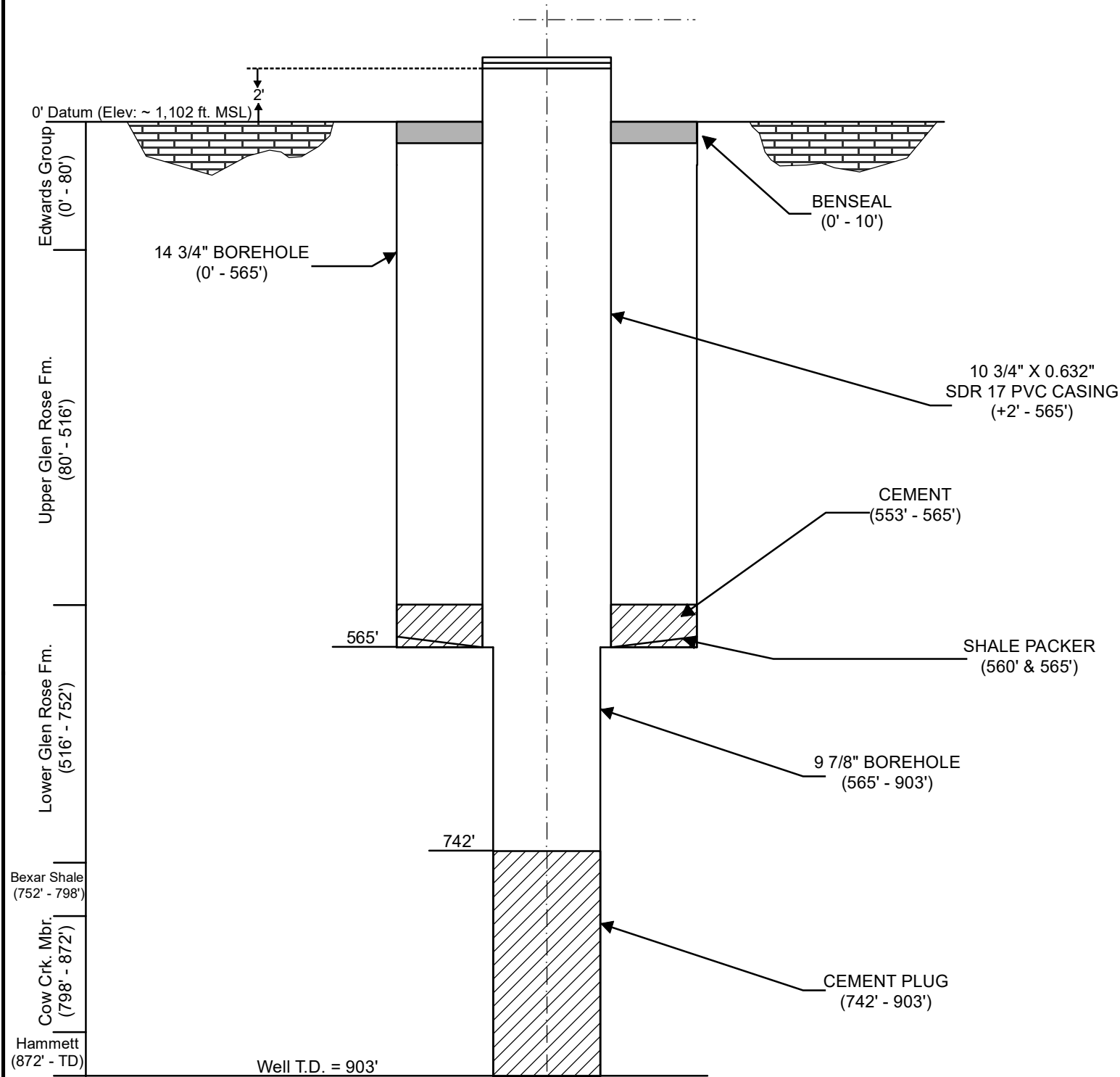
Well Profile: Bridges Well No. 4

Electro Purification, LLC
Hays County, Texas

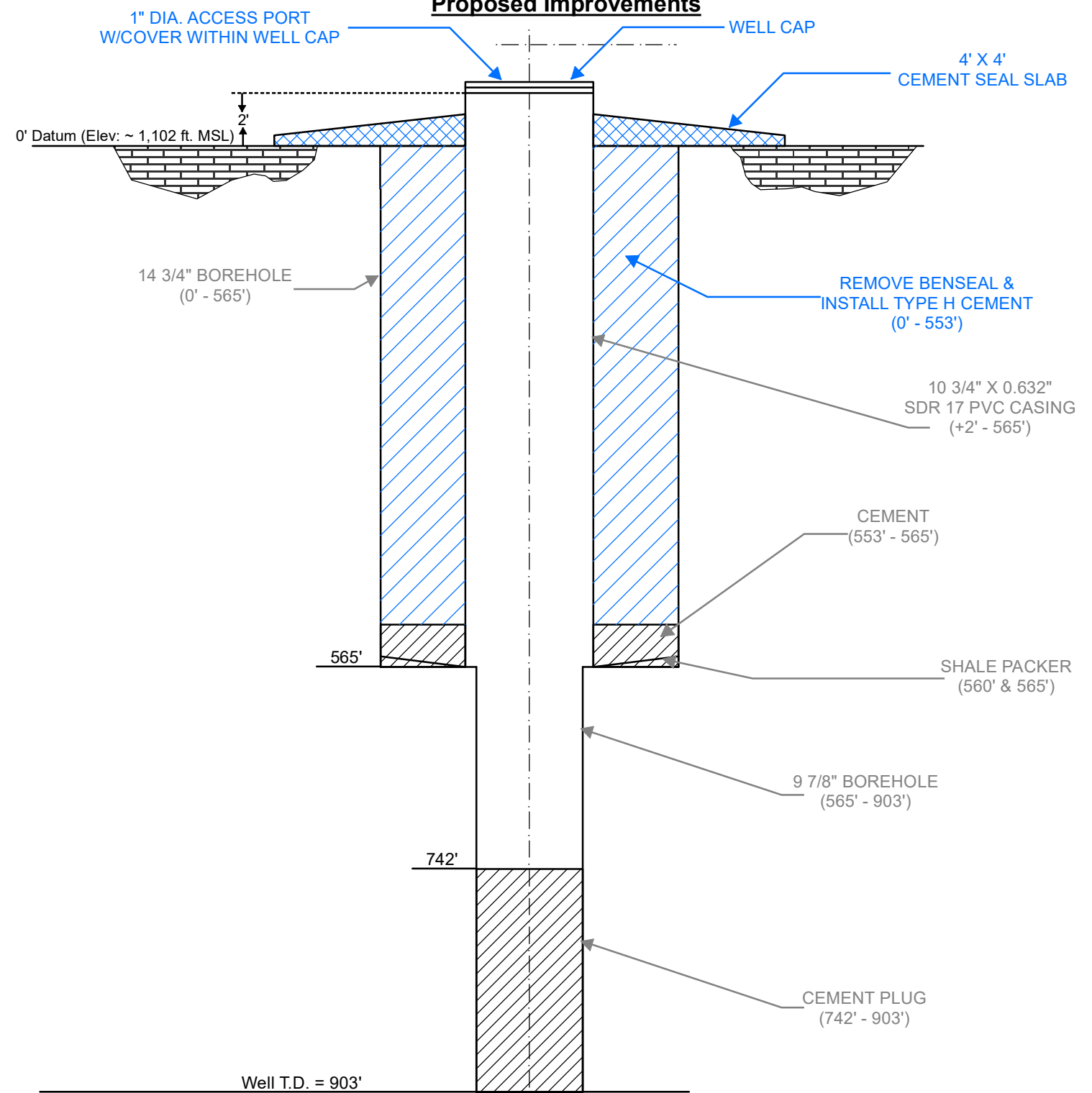
Wet Rock Groundwater Services, LLC
 Groundwater Specialists
 TBPG Firm No: 50038
 317 Ranch Road 620 South, Suite 203
 Austin, Texas 78734
 Ph: 512.773.3226 www.wetrockgs.com



Existing Well Profile



Proposed Improvements



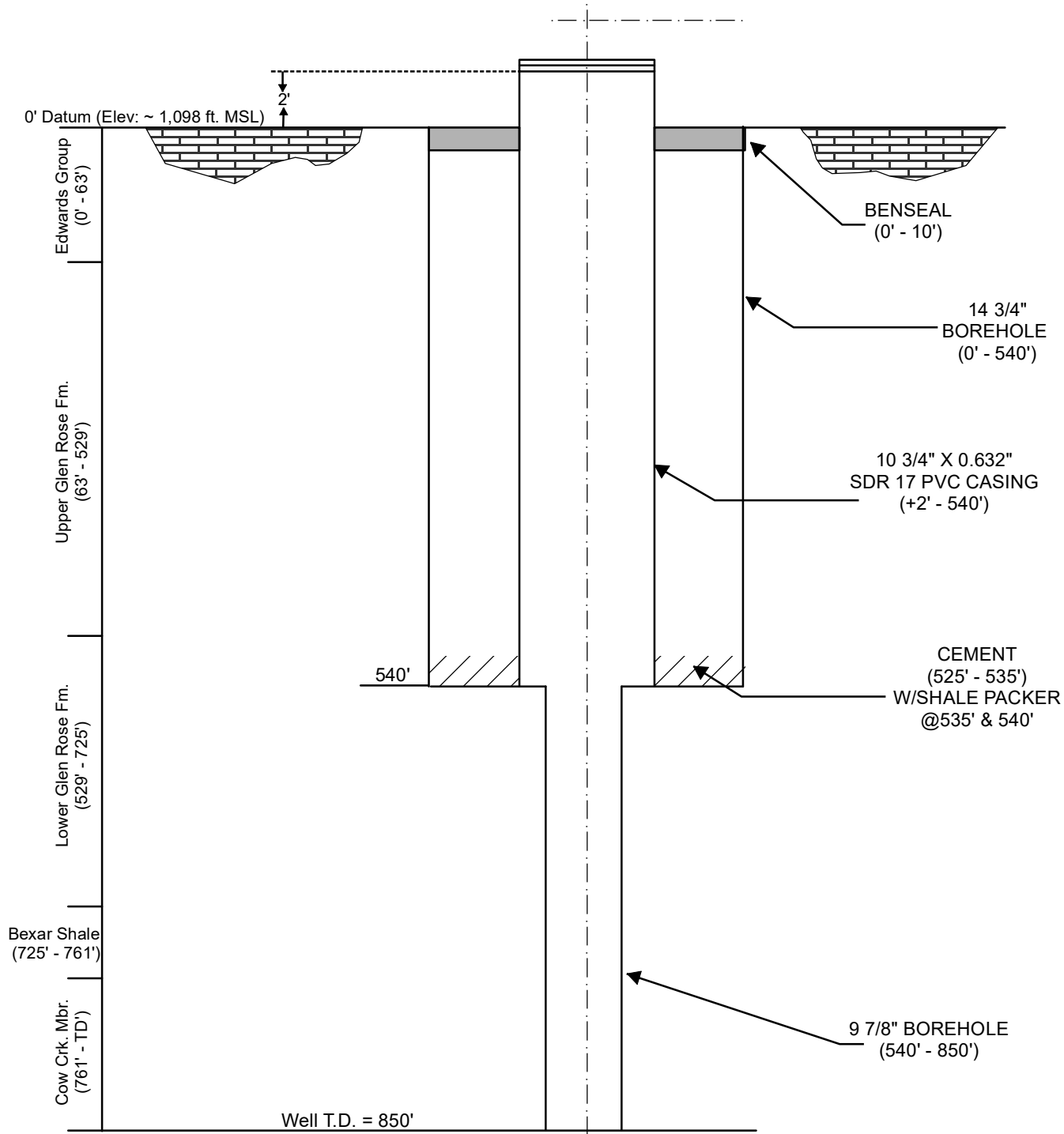
Notes:

1. Well profile based upon State Well Report (Tracking # 388355)
2. The well shall be properly capped with a water tight covering capable of sustaining weight of at least 400 pounds and constructed in such a way that the covering cannot be easily removed by hand except when the well is in actual use.
3. Estimated volume of Type H cement to be used for cementing casing in place is 308 cubic feet.

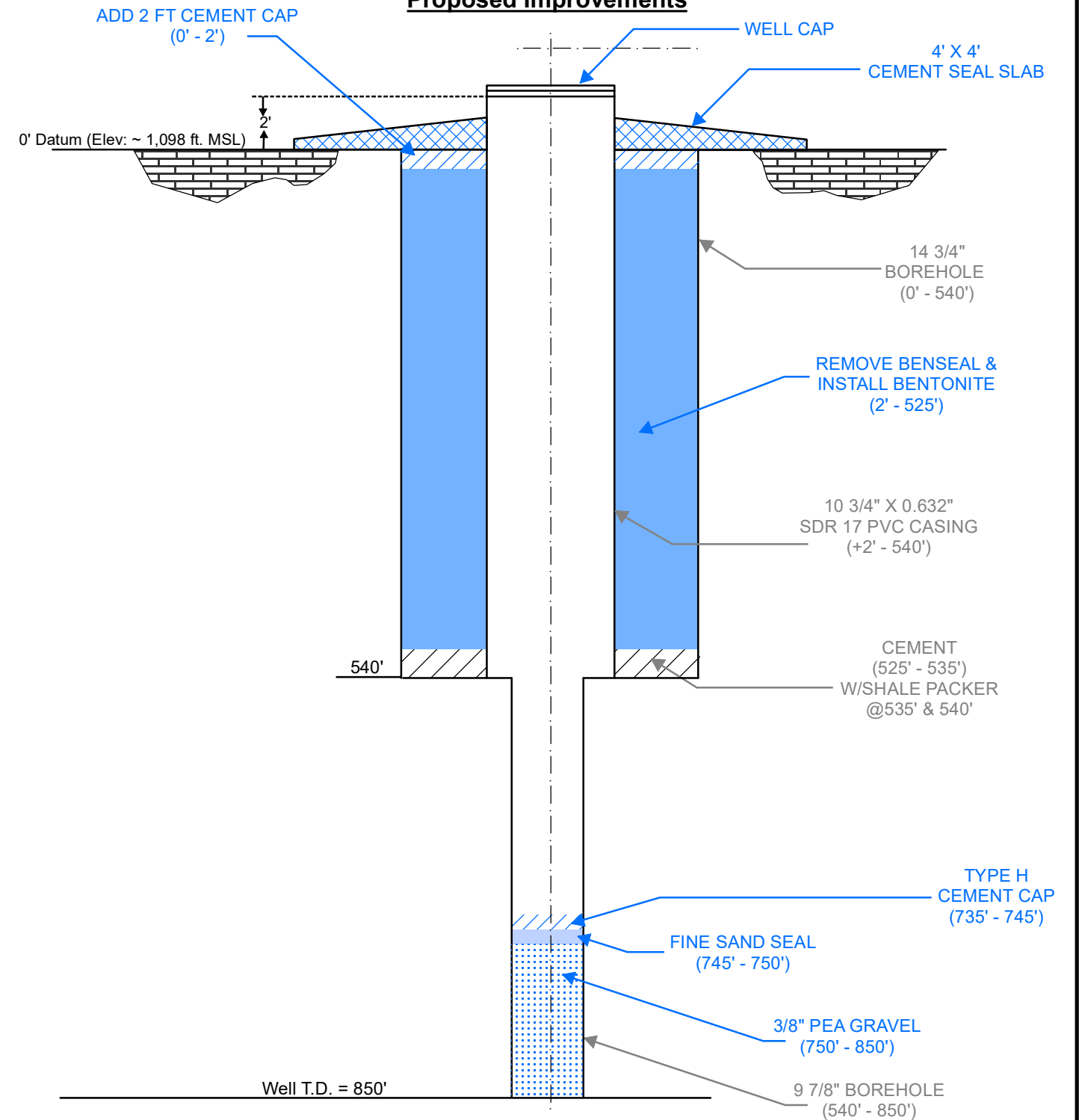
| |
|-------------------------------|
| SCALE: NONE |
| APPROVED BY: KK DATE: 5-14-19 |
| REVISED BY: DATE: |
| DRAWING NO: W-5 |
| SHEET: 5 OF 7 |

| | |
|---|---|
| Well Profile: Odell Well No. 1 | |
| Electro Purification, LLC Hays County, Texas | |
|  | Wet Rock Groundwater Services, LLC Groundwater Specialists TBPG Firm No: 50038 317 Ranch Road 620 South, Suite 203 Austin, Texas 78734 Ph: 512.773.3226 www.wetrockgs.com |

Existing Well Profile



Proposed Improvements



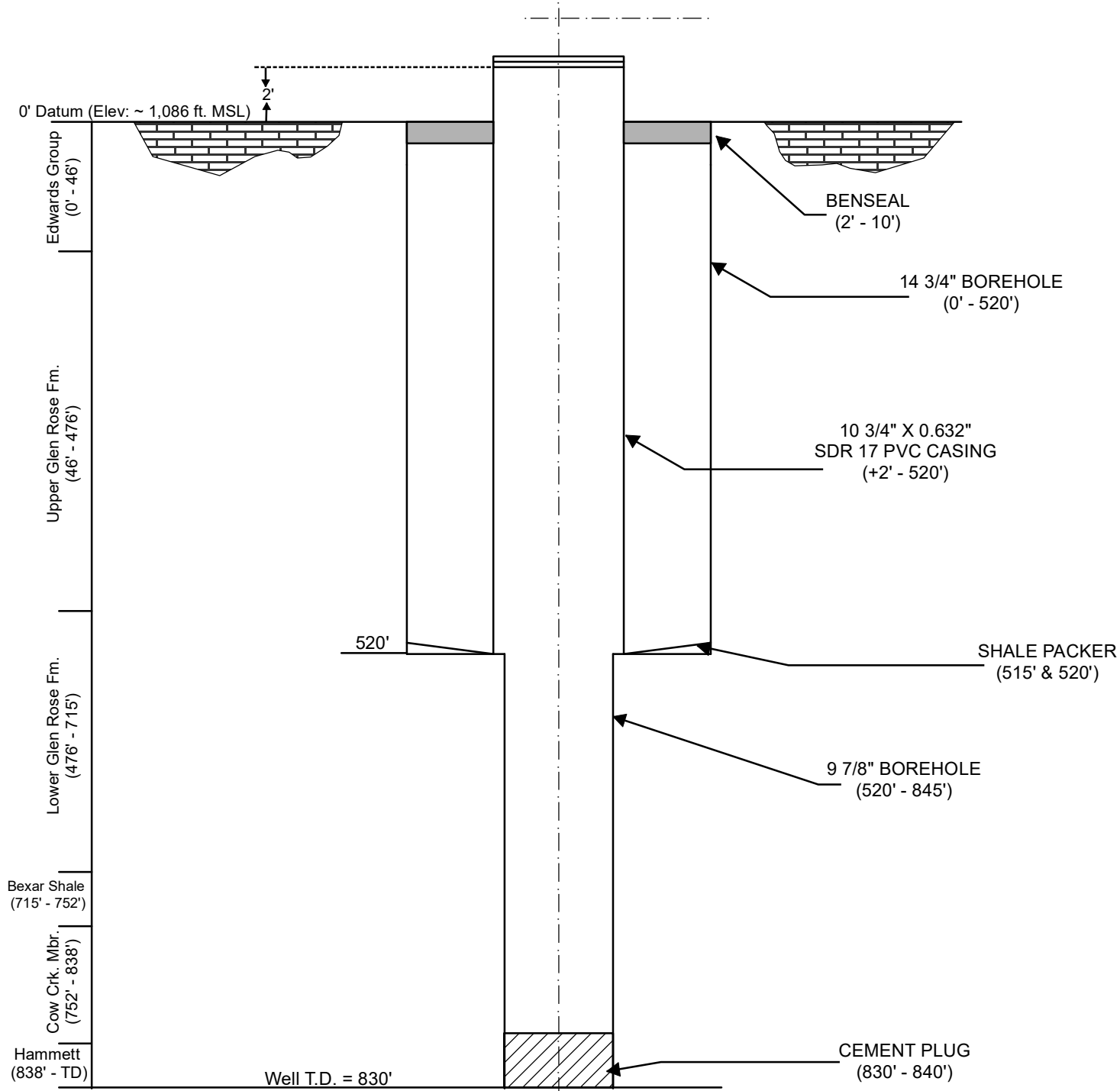
Notes:

1. Well profile based upon State Well Report (Tracking # 388364).
2. The well shall be properly capped with a water tight covering capable of sustaining weight of at least 400 pounds and constructed in such a way that the covering cannot be easily removed by hand except when the well is in actual use.
3. Estimated volume of Type H cement to be used during plugging of 9 7/8-inch borehole is 5.4 cubic feet.

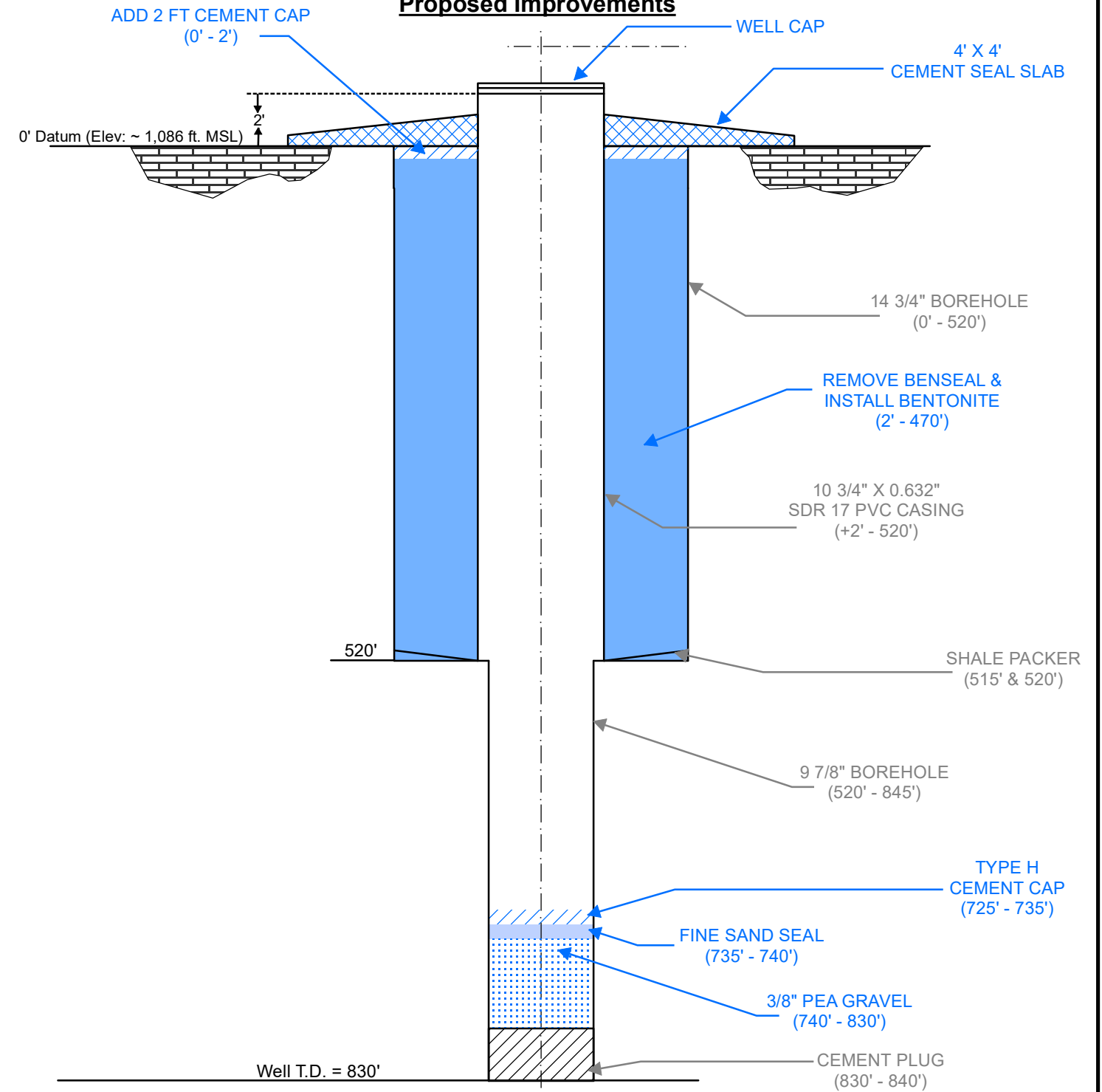
| |
|-------------------------------|
| SCALE: NONE |
| APPROVED BY: KK DATE: 5-14-19 |
| REVISED BY: DATE: |
| DRAWING NO: W-6 |
| SHEET: 6 OF 7 |

| | |
|---|--|
| Well Profile: Odell Well No. 2 | |
| Electro Purification, LLC Hays County, Texas | |
|  | Wet Rock Groundwater Services, LLC |
| | Groundwater Specialists |
| | TBPG Firm No: 50038 |
| | 317 Ranch Road 620 South, Suite 203 Austin, Texas 78734 Ph: 512.773.3226 www.wetrockgs.com |

Existing Well Profile



Proposed Improvements



Notes:

1. Well profile based upon State Well Report (Tracking # 388365).
2. The well shall be properly capped with a water tight covering capable of sustaining weight of at least 400 pounds and constructed in such a way that the covering cannot be easily removed by hand except when the well is in actual use.
3. Estimated volume of Type H cement to be used during plugging of 9 7/8-inch borehole is 5.4 cubic feet.

| |
|-------------------------------|
| SCALE: NONE |
| APPROVED BY: KK DATE: 5-14-19 |
| REVISED BY: DATE: |
| DRAWING NO: W-7 |
| SHEET: 7 OF 7 |

| | |
|---|---|
| Well Profile: Odell Well No. 3 | |
| Electro Purification, LLC Hays County, Texas | |
|  | Wet Rock Groundwater Services, LLC Groundwater Specialists TBPG Firm No: 50038 317 Ranch Road 620 South, Suite 203 Austin, Texas 78734 Ph: 512.773.3226 www.wetrockgs.com |